

Using These Measurements

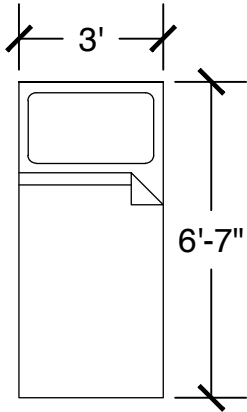
This document contains the approximate room measurements for Evergreen Hall. We recommend that it be viewed in Adobe Acrobat, which can be downloaded at Adobe's website, www.adobe.com/reader.

Because there are many configurations available for every area, these layouts and measurements should be seen as general guidelines. All measurements and drawings are made to scale, however the drawings may not reflect all aspects of every room. There may be architectural features that do not allow furniture to fit into a space. We recommend saving all receipts for purchased furnishings just in case they won't fit.

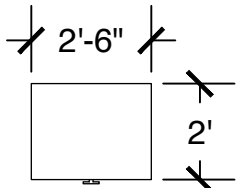
The Housing and Residence Life main office is available for questions at reslife@samford.edu or (205)726-2956. We will do our best to provide any details or measurements we currently possess but we cannot promise to provide answers to all possible questions. Visiting rooms before move-in is not allowed.

Other Tips

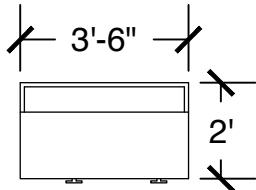
All Samford owned furniture must stay in the room. Residents are welcome to bring in their own furniture and rearrange provided furniture but the Samford owned furniture may not leave the room or be stored elsewhere. Furniture may not be in the same layout as the drawing at move-in. The floor plan layout pictured below is for a standard 2 person room in Evergreen. The corner Evergreen rooms are larger 3 person rooms with 3 sets of furniture, 3 closets, a sink and a suite bath shared with a 2 person room. Although a 3 person room floorplan is not pictured below, Residence Life can provide measurements on request.



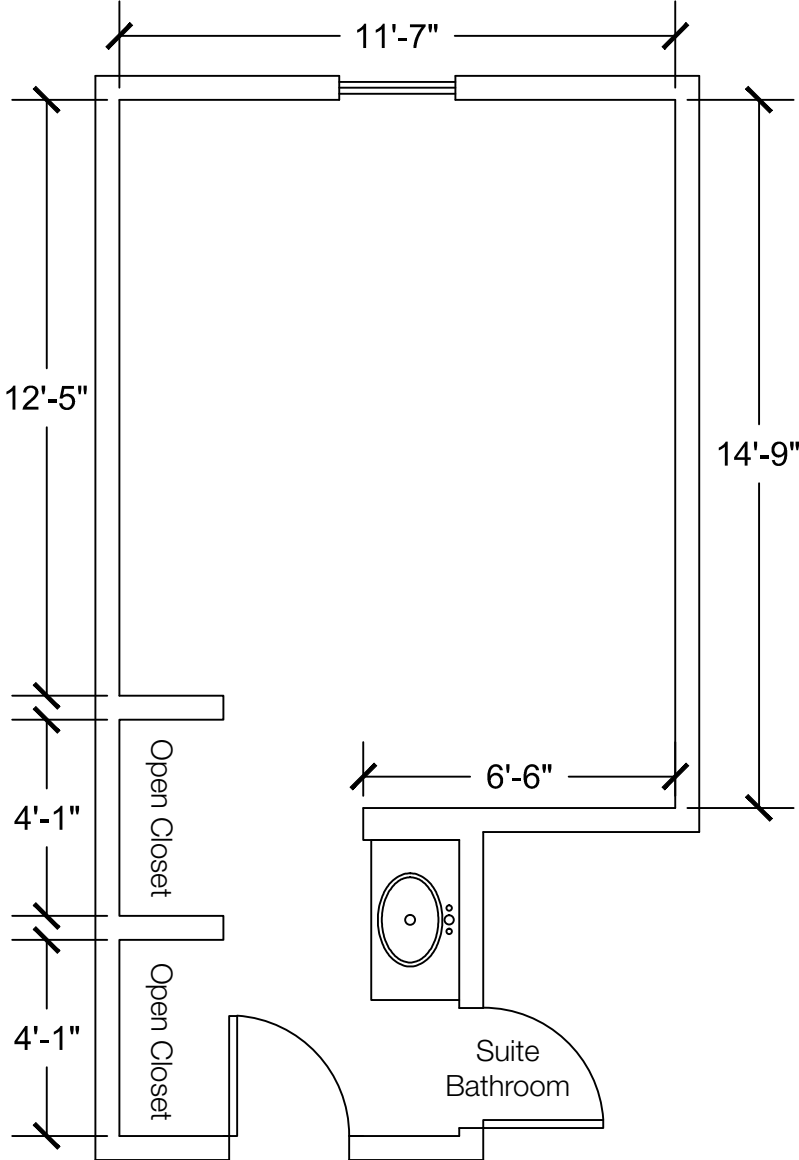
Standard Bed (x2)



Dresser (x2)



Desk w/ Hutch (x2)



Configuration Notes:

Applicable to Evergreen
 All drawings are 1/4"=1'-0" scale
 Dimensions are meant to be general figures and may not be exact